

SERIES BR800/1000

Silicon Bridge Rectifiers 8 Amps to 10 Amps

The plastic material carries U/L recognition 94 V-O

TYPE	MAXIMUM AVERAGE RECT. CURRENT If (AV) @ T _A R LOAD		INPUT VOLTAGE RECOMD. V _{rms}	PEAK INVERSE VOLTAGE V _{rrm}	MAXIMUM FWD PEAK SURGE CURRENT I _{fsm}	MAXIMUM FWD VOLTAGE @ T _A = 25° C V _f @ If (AV)		MAXIMUM REVERSE CURRENT @ T _A = 25° C I _r
	(A)	(C)	(V)	(V)	(A)	(V)	(A)	(uA)

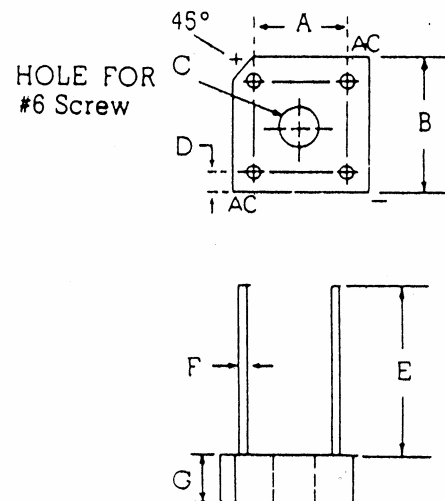
BR800 SERIES 8 Amps Figure 1

BR800	8.0	50	20	50	300	1.0	5.0	10
BR801	8.0	50	40	100	300	1.0	5.0	10
BR802	8.0	50	80	200	300	1.0	5.0	10
BR804	8.0	50	125	400	300	1.0	5.0	10
BR806	8.0	50	250	600	300	1.0	5.0	10
BR808	8.0	50	380	800	300	1.0	5.0	10
BR810	8.0	50	440	1000	300	1.0	5.0	10

BR1000 Series 10 Amps Figure 1

BR1000	10	55	20	50	300	1.0	6.0	10
BR1001	10	55	40	100	300	1.0	6.0	10
BR1002	10	55	80	200	300	1.0	6.0	10
BR1004	10	55	125	400	300	1.0	6.0	10
BR1006	10	55	250	600	300	1.0	6.0	10
BR1008	10	55	380	800	300	1.0	6.0	10
BR1010	10	55	440	1000	300	1.0	6.0	10

DIM	INCHES		MILLIMETERS	
	MIN.	MAX.	MIN.	MAX.
A	0.48	0.52	12.2	13.2
B	0.73	0.77	18.54	19.56
C	0.142	0.158	3.6	4.0
D	0.21	0.29	5.33	7.37
E	0.21	0.29	5.33	7.37
F	0.75		19.1	
G	0.048	0.052	1.2	1.3
H	0.25	0.30	6.35	7.6



(203) 467-2591 TEL
 (203) 469-5928 FAX
 Email: Info@edal.com
 Internet: http://www.edal.com

EDAL industries, inc.

51 Commerce St. East Haven, CT 06512